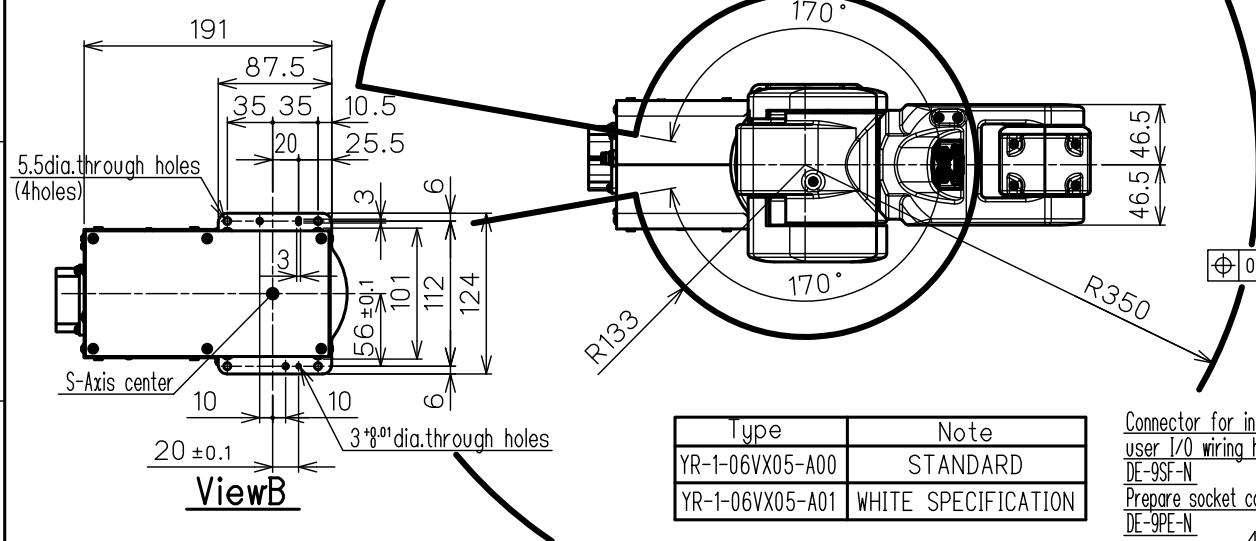
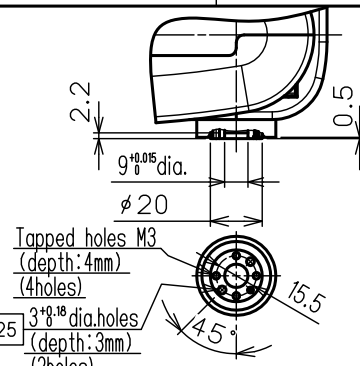


DWG.NO: HW1385512

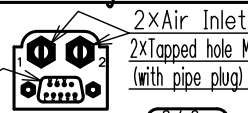


View B

Type	Note
YR-1-06VX05-A00	STANDARD
YR-1-06VX05-A01	WHITE SPECIFICATION

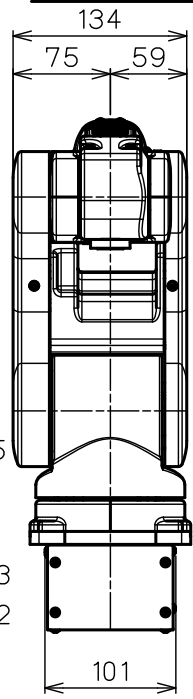


Details of Wrist flange (Scale 1:2)



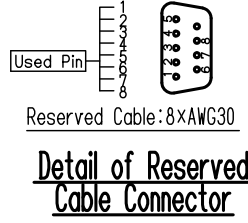
(Details of the socket Pin Numbers)

View C (Scale 1:2)



Item	Model	MotoMINI
Structure		Vertically articulated
Degree of Freedom		6
Payload		0.5kg
Repeatability		±0.02mm ※1
Range of Motion	S-Axis (Turning up)	-170° ~ +170°
	L-Axis (Lower Arm)	-85° ~ +90°
	U-Axis (Upper Arm)	-175° ~ +120°
	R-Axis (Roll)	-140° ~ +140°
	B-Axis (Pitch/Yaw)	-30° ~ +210°
Max Speed	T-Axis (Twist)	-360° ~ +360°
	S-Axis	5.5rad/s, 315°/s
	L-Axis	5.5rad/s, 315°/s
	U-Axis	7.3rad/s, 420°/s
	R-Axis	10.5rad/s, 600°/s
Allowable Moment	B-Axis	10.5rad/s, 600°/s
	T-Axis	10.5rad/s, 600°/s
	R-Axis	0.42Nm (0.043kgfm)
Allowable Inertia (GD <sup>2</sup> /4)	B-Axis	0.42Nm (0.043kgfm)
	T-Axis	0.37Nm (0.038kgfm)
	R-Axis	0.00378 kg·m <sup>2</sup>
Approx. Robot mass		7kg
Protected structure		IP30
Mounting method <sup>※2</sup>		Floor-mounted, Wall-mounted, Tilt-mounted, Ceiling-mounted
Ambient Conditions	Temperature	0 to 40 °C
	Humidity	20 to 80%RH (Non-Condensing)
	Vibration	Less than 4.9m/s <sup>2</sup> (0.5G)
	Altitude	1000 m or less
Others		<ul style="list-style-type: none"> <li>Free from explosive or corrosive gas and liquid.</li> <li>Free from dust, oil, or water.</li> <li>Free from electrical noise.</li> <li>Free from strong magnetic fields.</li> </ul>
Power Requirements		0.5KVA
Controller		YRC1000micro

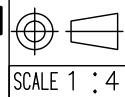
Notes: ※1 Repeatability is conformed to ISO 9283.  
 ※2 When the manipulator is installed on a tilt or a wall, the motion of S-axis will be limited.  
 ※3 The manipulator is in the home position.



Detail of Reserved Cable Connector

Note:  
 1. All rights reserved.  
 2. Please note that the data is subject to be deleted without advance notice.  
 3. No warranty is given in relation to the data including the specification.  
 4. We are not responsible for any damages or loss caused by the use of the data.

FOR STUDY PURPOSE ONLY



YASKAWA  
 株式会社安川電機

Reference Drawing

TITLE MotomINI  
 DIMENSION DIAGRAM

DRWN DATE Jun.30.'17  
 DWG.NO. HW1385512

SIZE A3